

TrigasDM GmbH
Erdinger Str. 2b
85375 Neufahrn
Germany

Durchflussmesser-Manufaktur

www.trigasdm.com
Tel.: +49-8165-9999 300
Fax: +49-8165-9999 329
info@trigasdm.com

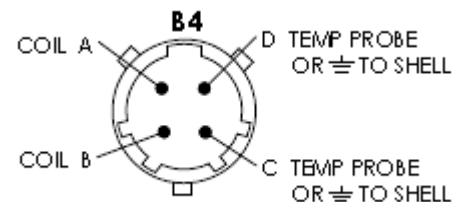
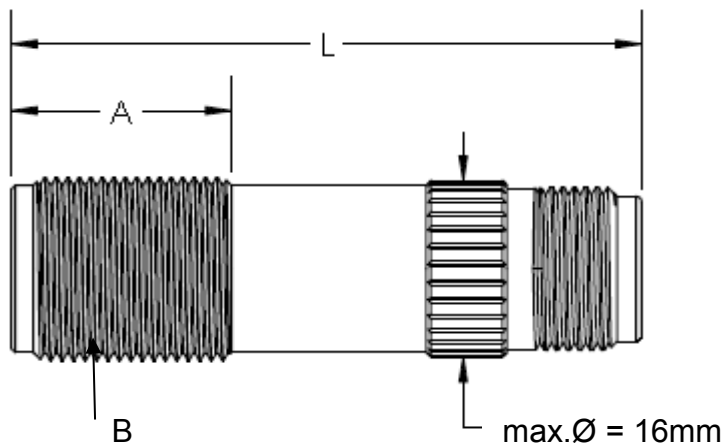
*High Temperature High Profile RF Pickup
with MS Bayonet-Connector and integrated PT 100*

PRODUCT DESCRIPTION

TrigasDM RF pickups are based on the modulated carrier principle for Near Zero Speed performance with no Magnetic Drag, resulting in extended flow range performance. RF sensors produce modulation of a carrier signal whose frequency is identical to the frequency of the excitation due to a passing target (turbine flowmeter rotor).

The movement of the rotor in the turbine is received by the pickoff. Every movement of the blade is an incoming pulse. This is forwarded as a frequency to the electronics. The electronic converts the measured physical quantity (rotor movement) into a linearized analog electrical and frequency signal for computing and/or further processing.

An internal temperature probe (RTD100) is positioned near the face of the sensor.



Mounting Thread (B) = 5/8x18
Thread Length (A) = 19mm
Overall Length (L) = 50 mm

PRODUCT SPECIFICATIONS

DC-Coil Resistance: $12\Omega \pm 10\%$

Inductance: $1\text{mH} \pm 10\%$

Operating Freq.: ≥ 0.5 to ≤ 6000 Hz

Temperature Sensor: RTD (100Ω)

Temperature Range: -200°C to $+230^\circ\text{C}$

Connector: B4 - 4 Pin MS-Bayonet-Connector (MS3113-H8A4P BAYONET)

Construction: 300 Series Stainless Steel, Solid Epoxy Encapsulation

Sensor Face: Epoxy sealed face / Open front construction

CE-Compliance: EN55011, EN50022-2